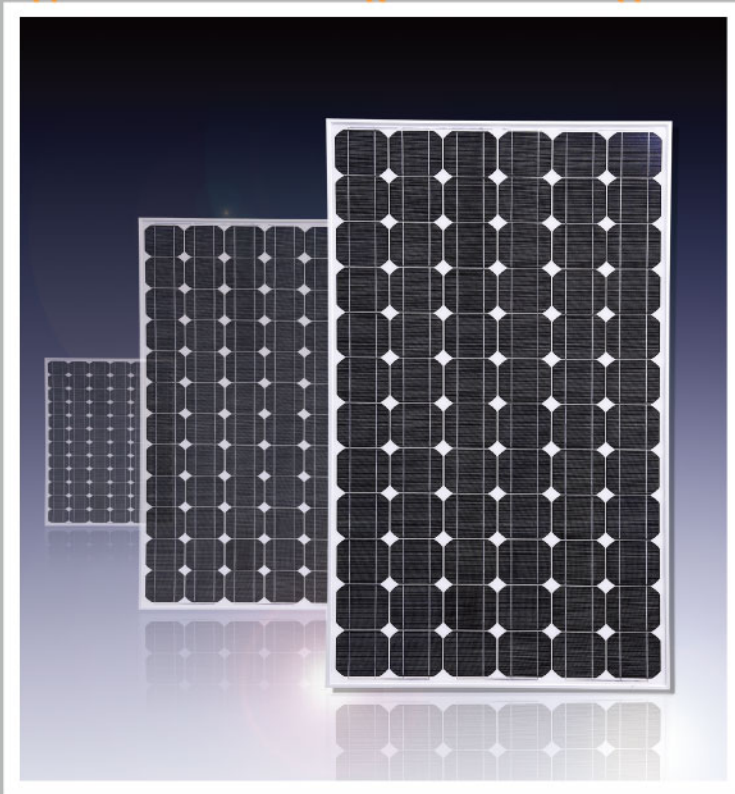


ERA SOLAR



Monocrystalline solar module ESPSA

High-quality solar modules

Within 72 cells and 3 bypass diodes in powerclasses of 160 to 185 Wp for grid connected systems.

Reliable

The high quality level of ERA SOLAR guarantees a long life-time and high earnings.

Solid

Aluminium hollow-chamber frame on each side combined with low-iron, tempered solar-glas ensures a very high mechanical capacitance.

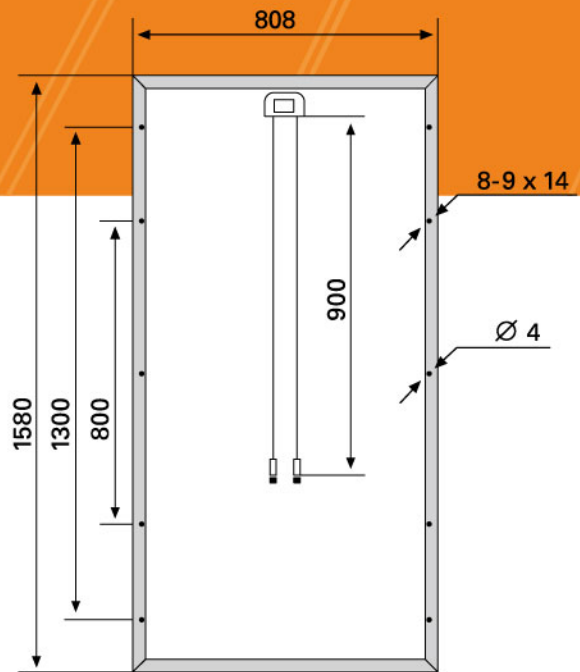
Performance guarantee

ERA SOLAR give a power guarantee of 90% of nominal power output for 12 years and 80% for 30 years.

Certificates

IEC 61215 edition 2 (TÜV Rheinland)
safety class II
IEC61730 UL1703
LEAD testing and certification (UK)



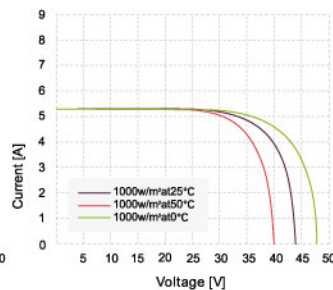
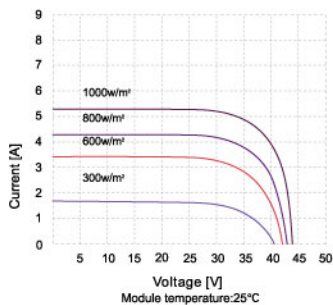


Specifications

Dimensions	1580mm x 808mm x 50mm
Weight	15.5 kg
Frame	Aluminium hollow-chamber frame on each side
Glass	Low-iron toughened glass
Cells	72 pcs monocrystalline Si-cells (125 x 125 mm)
Cell Embedding	EVA
Back-Foil	TPT/TPE/BBF
Junction Box	With Tuv certified
Cable	4 mm ² solar-cabel 2 x 900 mm
Temperature-Range	- 40°C ... + 85°C
Certificates	IEC61215 Edition 2, Safety-class II, IEC61730 , UL1703.
Power-Guarantee	12 Years 90%, 30 Years 80%

Electrical Characteristics

Type	ESPSA 160	ESPSA 165	ESPSA 170	ESPSA 175	ESPSA 180	ESPSA 185
Power-Class	160W	165W	170W	175W	180W	185W
Max. Power Voltage (U_{mpp})* at STC**	34.4V	34.7V	35V	35.3V	35.6V	35.9V
Max. Power Current (I_{mpp}) at STC	4.66A	4.76A	4.86A	4.96A	5.05A	5.15A
Open Circuit Voltage (U_{oc}) at STC	42.8V	43V	43.4V	43.8V	44.1V	44.5V
Short Circuit Current (I_{sc}) at STC	5.0A	5.1A	5.2A	5.3A	5.4A	5.5A



Max. System Voltage	1000V/DC
Temperature-Coefficient I_{sc}	1.8mA/°C
Temperature-Coefficient U_{oc}	-149mV/°C
Temperature-Coefficient P_{mpp}	-0.7722W/°C
NOCT***	45°C

- * MPP:Maximum Power Point
- ** STC(Standard Test Conditions):1000W/m²,25°C,AM 1.5
- *** Normal Operating Cell Temperature

ZHEJIANG ERA SOLAR
TECHNOLOGY CO., LTD
www.era.com.cn